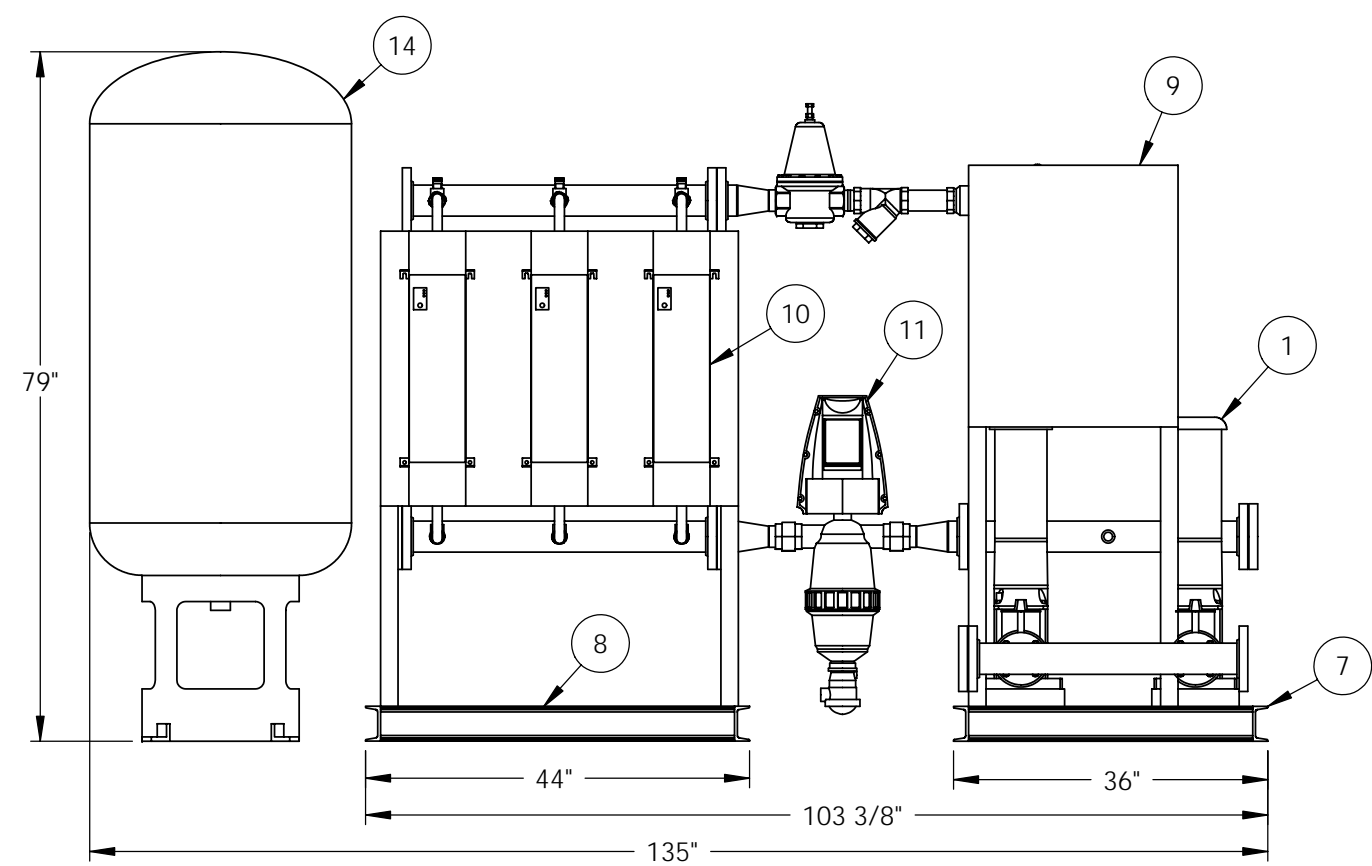
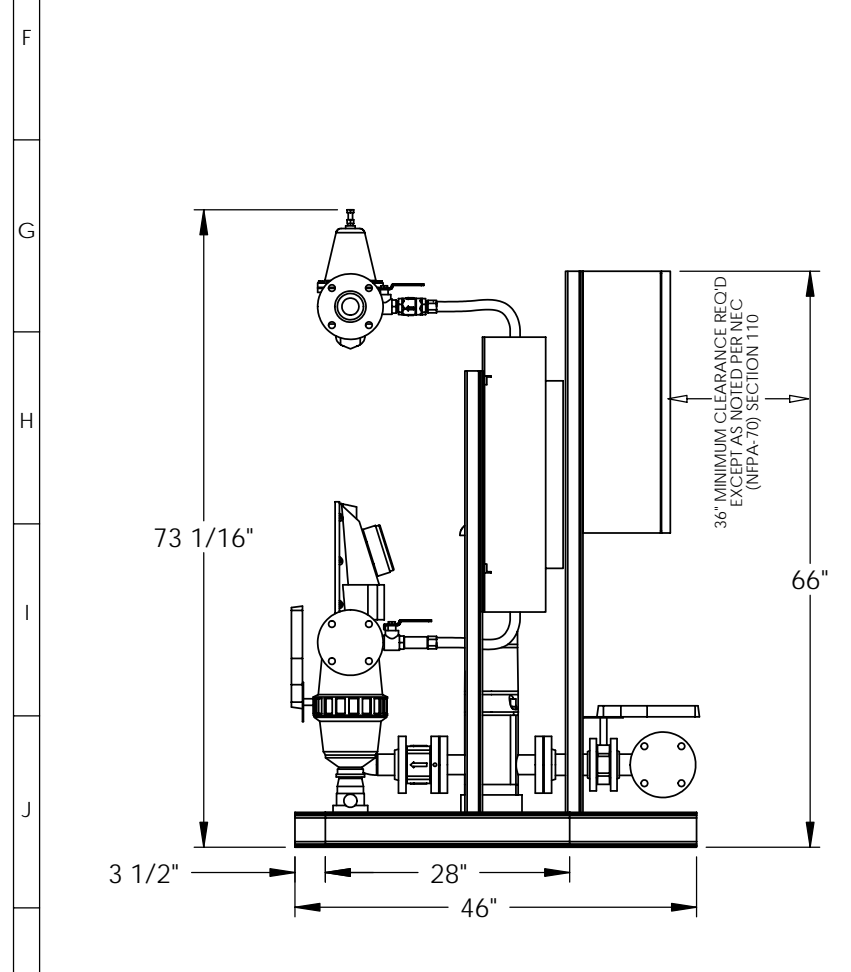


ITEM	DESCRIPTION	QTY
1	VMS PUMP W/ MOTOR	2
2	WAFER CHECK VALVE 2"	2
3	SUCTION ISOLATION BUTTERFLY VALVE 2"	2
4	DISCHARGE ISOLATION BUTTERFLY VALVE 2"	2
5	SUCTION HEADER 304SS, 3" FLG'D 150#	1
6	DISCHARGE HEADER 304SS, 3" FLG'D 150#	1
7	PUMP BOOSTER SKID BASE	1
8	UV PURIFICATION SYSTEM SKID BASE	1
9	SYSTEM POWER AND CONTROL PANEL	1
10	UV PURIFICATION SYSTEM	3
11	SELF CLEANING WATER FILTER 2"	1
12	BACK FLOW PREVENTER 2"	1
13	PRESSURE REDUCING VALVE 2"	1
14	HYDROCUMULATOR TANK 180	1
15	CITY WATER CONNECTION 2" FPT	1



PROPRIETARY DRAWING
 THIS CONFIDENTIAL DOCUMENT IS THE PROPERTY OF
SyncroFlo
 NORCROSS, GEORGIA
 NOT TO BE DUPLICATED WITHOUT WRITTEN PERMISSION
 OR USED IN ANY WAY DETRIMENTAL TO THE COMPANY

REV	DESCRIPTION	BY	DATE
ALL DIMENSIONS +/- TOLERANCE OF 1/2"			

RAIN HARVEST PUMP STATION

DRAWN BY: ER	ENG. BY: ER	CHK. BY:
DATE: 07/01/10	SIGN:	DATE:


SyncroFlo
 Pumping System Solutions
 6700 Best Friend Road - Norcross, GA 30071 - (770) 447-4443 - Fax (770) 447-0230

SCALE: 1:22 DWG: - - -